

SRV Spring steel panel latch

Information

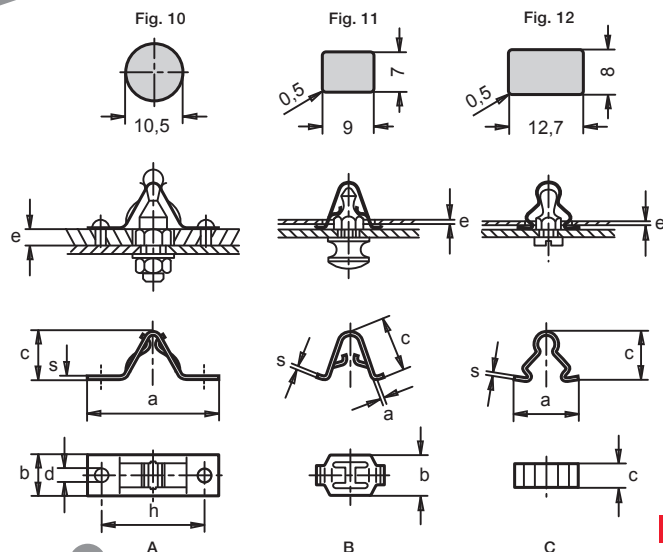
The SRV Spring steel panel latch is a very useful fastener for use with movable panels and doors in combination with a door or panel stud. Form A is fastened to the panel using a threaded fastener or rivet while Forms B and C fit onto the panel and hold themselves in place due to their spring-mounting feature.



SRV Spring steel panel latch

Article	Part n° SRV	Panel Thickness e	Form	a	b	DIF ADM	c	d	DIF ADM	Resistance to opening kp	h	s	Mounting hole	Box quantity	Outer box quantity
SRV 1657	02260015	0,7-4	A	50,4	17,4 ±0,2		15,8	4	±0,2	5	38	0,5	-	500	4000
SRV 1682	02260023	1,0-2,0	A	26	11 ±0,2		7,5	3,3	±0,2	6,4	19,5	0,4	-	500	4000
SRV 2108	02260031	0,9-1,2	B	3,5	16 ±0,2		18,15	-	±0,2	9,1	-	0,6	Fig. 12	500	4000
SRV 4434	02260082	0,9-1,2	C	17	6 ±0,2		13,6	-	±0,2	-	-	0,4	Fig. 10 & 11	1000	8000

Mounting holes



Material specifications:

Spring Steel
HRc 47+51

Surface treatment:

Anti-rust oil-dipped